

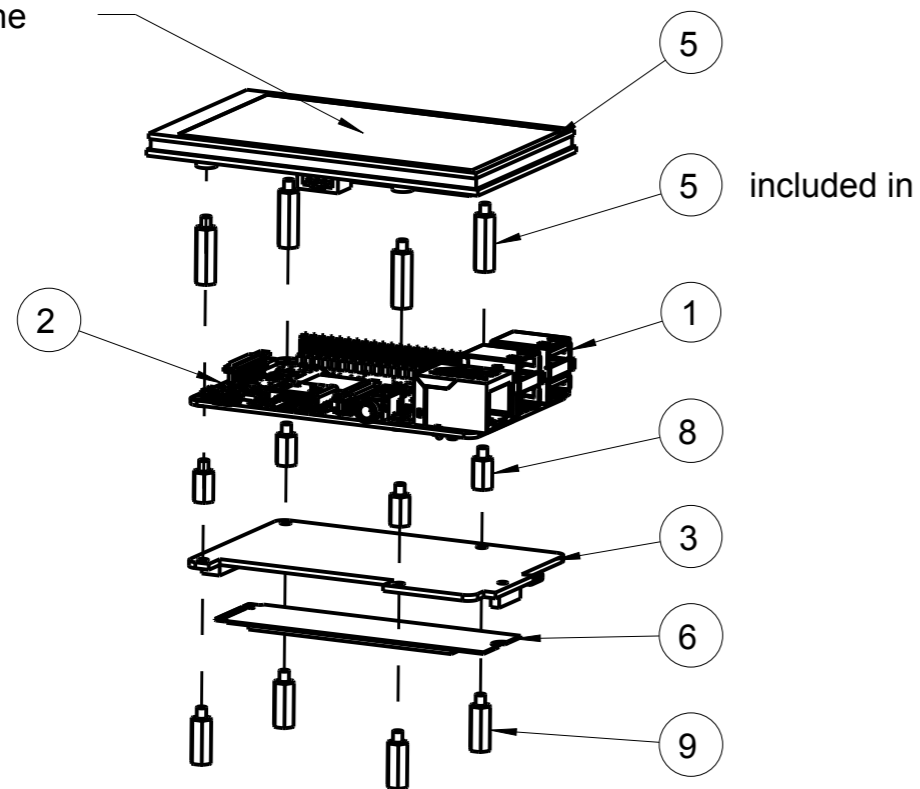
ADVANCED CAMERA DEVICE ASSEMBLY

X500-1000 Rev. 02 / 2019-08-23

| Pos. | Quantity | Manufacturer | Name |
|------|----------|-------------------------|---|
| 1 | 1 | Raspberry Pi Foundation | Raspberry Pi 3 Model B |
| 2 | 1 | Divers | Micro-SD Card 8GB with ACD-OS |
| 3 | 1 | Renkforce | Raspberry Pi USB2.0 to M.2 SATA SSD Converter |
| 4 | 1 | Renkforce | Raspberry Pi USB to SD 3.0 (SDXC) Converter |
| 5 | 1 | Pimoroni | HyperPixel 4.0 Hi-Res Touch Display |
| 6 | 1 | Divers | M.2 SATA SSD (16GB up to 2TB) Type 2280, 2260, 2242, 2230, double sided module, max. height 1,5mm |
| 7 | 8 | Xainou Casing Kit | Screw ISO 14583-M2,5x8 TX8 |
| 8 | 4 | Xainou Casing Kit | Standoffs 8mm, M2,5 |
| 9 | 4 | Xainou Casing Kit | Standoffs 12mm, M2,5 |
| 10 | 1 | Xainou Casing Kit | Hexagon nut ANSI B 18.2.2 - 1/4"-20 UNC |
| 11 | 1 | Xainou Casing Kit | Casing lower part |
| 12 | 1 | Xainou Casing Kit | Casing top part |
| 13 | 1 | Xainou Casing Kit | Flapp |
| 14 | 1 | Xainou Casing Kit | Power LED glas |
| 15 | 1 | Xainou Casing Kit | Cardreader LED glas |

Do not remove the protective foil from the display.

Pre-assembly

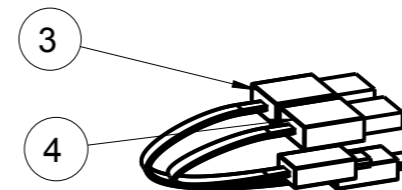


Micro-SD card with ACD-OS not shown. Assembly only in the finished device

The upper part can only be mounted in one direction. The inside >PA< tag must be on the side with the USB ports.

included in *

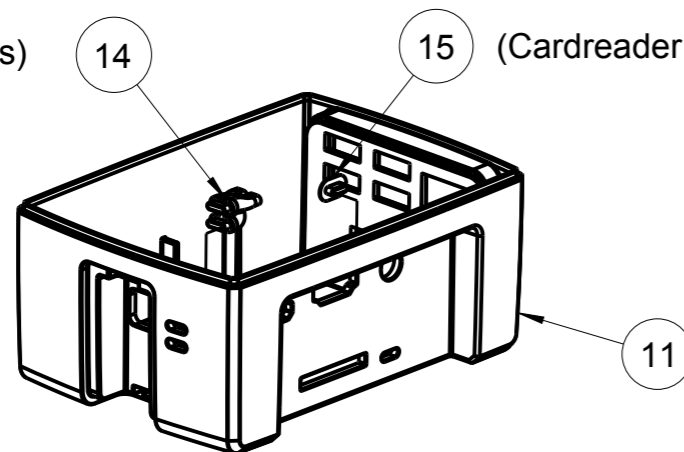
included in



Pre-assembly

(Power LED glas)

(Cardreader LED glas)



Glue the LED glasses with the casing

* Attention:
Plug in the USB cables after the first boot and then format the SSD.
An SSD without a exfat file system, hangs when booting!

