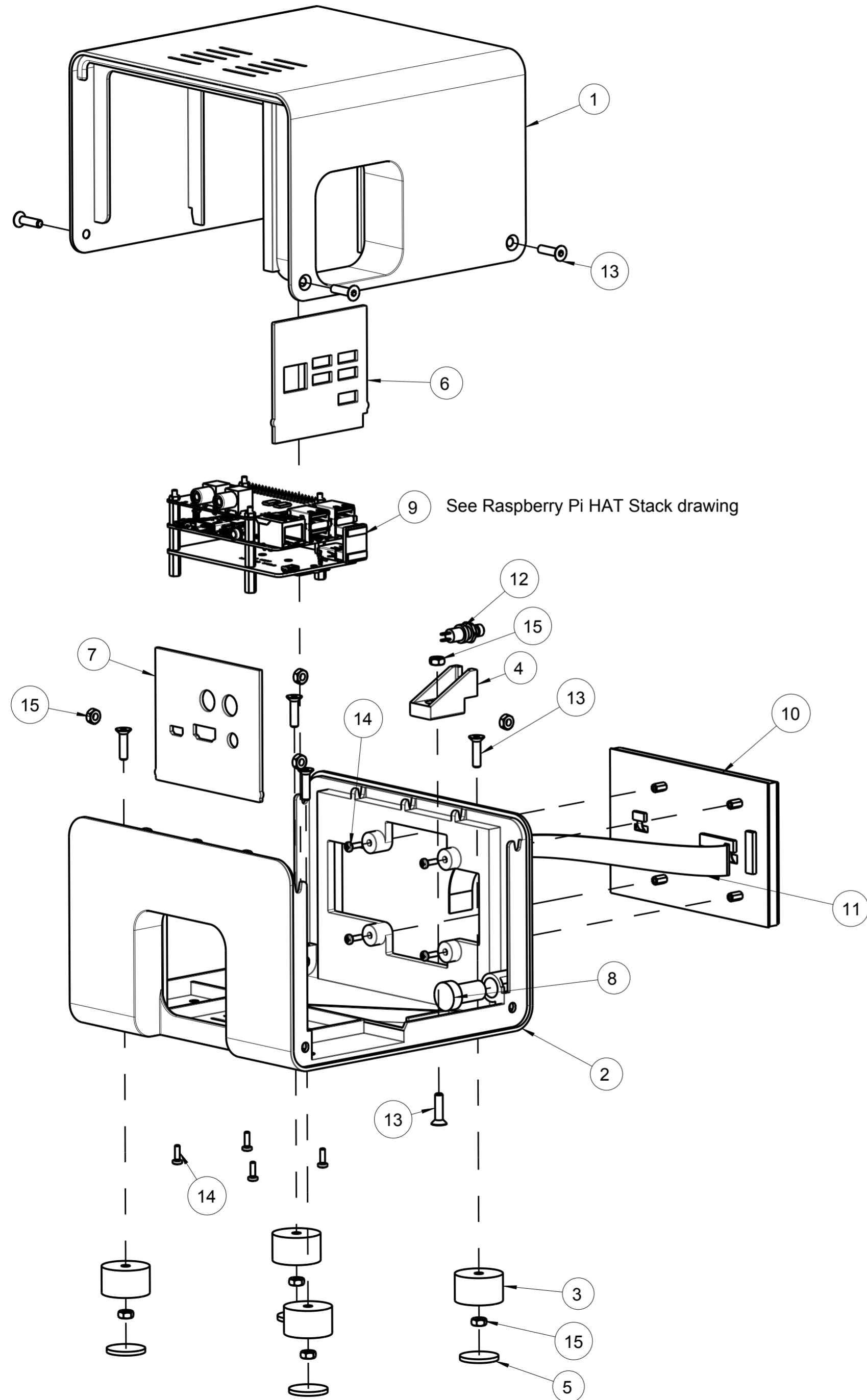


# Raspberry Pi 3B+ / SubTronics X860 / HifiBerry DAC-RTC



Pos.	Qty.	Partnumber	Name	Supplier	Material
1	1	HTPC-2002	Raspberry Pi UC Upper Case	DIY FDM print	PLA, black
2	1	HTPC-2001	Raspberry Pi UC Lower Case	DIY FDM print	PLA, black
3	4	HTPC-2003	Raspberry Pi UC Device Base	DIY FDM print	PLA, black
4	1	HTPC-1209	Raspberry Pi UC Switch Bracket	DIY FDM print	PLA, black
5	4	HTPC-2006	Raspberry Pi UC Device Stopper	DIY	Rubber
6	1	HTPC-1111	Raspberry Pi UC LAN/USB Cover	DIY FDM print	PLA, black
7	1	HTPC-1112	Raspberry Pi UC Power Cover	DIY FDM print	PLA, black
8	1	HTPC-2010	Raspberry Pi UC Switch	DIY FDM print	PLA, black
9	1	HTPC-1110	Raspberry Pi HAT Stack		
10	1	HTPC-2320	OSOYOO 5" DSI Touch Screen	OSOYOO	
11	1	HTPC-2321	Displaycable AWN 20624 80C 60V VW-1, 25cm (*)		
12	1	HTPC-1050	Switch	BerryBase	
13	9	HTPC-2005	Countersunk screw DIN 965-M4x16		Steel, black
14	8	HTPC-1005	Pan head screw ISO 14583-M2,5x8		Steel
15	5	HTPC-2004	Nut DIN 934-M4		Steel

